

## TYPE RP300

Carbon Steel ASTM A 216 WCB  
Flanged ANSI B16.5 150 RF – 300 RF

Face to face ASME / ANSI B16.10

### DESCRIPTION

Series RP130 pressure reducing valve is a self-actuated proportional action type.

Composed by a direct action single seat special body valve, flow tries to close, with diaphragm and feedback spring, controlled by downstream pressure.

The internal balance without bellow guarantees a long life to the valve

The series RP130 pressure reducing valve can be simply and easily installed and it is suitable for industrial plants where compressed air is not available for a "pneumatic reducing system" or where the user requires a stable reduced pressure not subjected to frequent variations.

#### SIZES :

from DN 15 to DN 100

#### MAX WORKING CONDITIONS :

Maximum inlet pressure with steam, air and gases

DN 15 -50	DN 65	DN 80	DN 100
23 bar	16 bar	12 bar	9 bar

Maximum inlet pressure with water

DN 15 -50	DN 65	DN 80	DN 100
8 bar	5 bar	4 bar	3 bar

- Maximum design temperature : 220 °C
- Maximum downstream reduced pressure (1) : 8 bar
- Minimum downstream reduced pressure : 0.2 bar

#### ON REQUEST :

- Soft seal PTFE/GR ≤190°C class VI°
- Soft seal in PTFE ≤150°C class VI°
- Stellite seat - plug degree 6 (recommended with Δp ≥ 12 bar)
- Reduced bore (see table)

**CV = american unit (flowrate in USGPM with 1 psi of differential pressure)**

#### CONNECTIONS :

BODY : flanged ANSI B 16.5 150 RF 300 RF

ACTUATOR : screwed ISO 7 - Rp 3/8"

#### REDUCED PRESSURE RANGES :

TYPE	ACTUATOR	RANGE
C1	T60	3 - 8
C2	T80	1 - 5
C3	T100	0.5 - 3
C5	T150	0.2 - 1.5
(1) C1 special	T50	8 - 12 bar

Where control spring ranges overlap, always use the lower range to give better control and precision

#### ACCESSORIES :

- KIT for STEAM in carton box (**weight 2,2 Kg**) composed by pot, cap, fittings and spring adjusting tool
- KIT for WATER and GASES in plastic bag (**weight 0,2 Kg**) composed by fitting and spring adjusting tool

**Kv = metric unit (flowrate in m3/h with 1 bar of differential pressure)**

PLUG PT cl. IV°	NOMINAL DIAMETER								
	DN 15	DN 20	DN 25	DN 32	DN 40	DN 50	DN 65	DN 80	DN 100
FULL BORE	Ø 1/2"	Ø 3/4"	Ø 1"	Ø 1.1/4"	Ø 1.1/2"	Ø 2"	Ø 2.1/2"	Ø 3"	Ø 4"
<b>CV</b>	2,42	6,12	9,79	17,45	23,89	26,99	43,03	51,38	62,10
<b>KV</b>	2,06	5,22	8,35	14,88	20,38	23,02	36,70	43,82	52,97
Rangeability	6:1	8:1	11:1	14:1	16:1	16:1	16:1	16:1	16:1
RED. BORE	Ø 1/4"	Ø 1/2"	Ø 3/4"	Ø 1"	Ø 1.1/4"	Ø 1.1/2"	Ø 2"	Ø 2.1/2"	Ø 3"
<b>CV</b>	1,13	2,42	6,12	9,79	17,45	23,89	26,99	43,03	51,38
<b>KV</b>	0,96	2,06	5,22	8,35	14,88	20,38	23,02	36,70	43,82
Rangeability	5:1	6:1	8:1	11:1	14:1	16:1	16:1	16:1	16:1

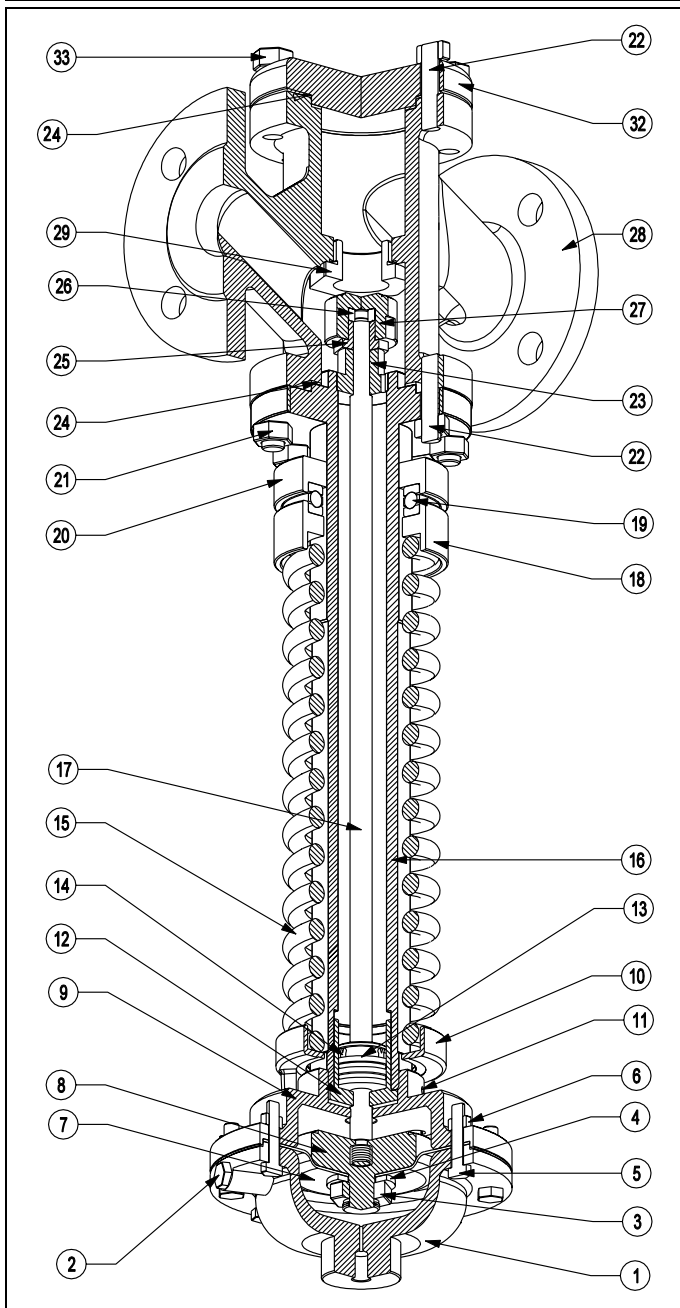
NOTE : The downstream pipe diameter must be sized according to the specific volume of steam reduced pressure, to obtain a steam velocity not exceeding 30-35 m/s (maximum limit value = 40 m/s).

**CONFLOW** s.p.a.

COMPANY  
WITH QUALITY SYSTEM  
CERTIFIED BY DNV  
== ISO 9001 ==

Via Lecco, 69/71  
20041 AGRATE BRIANZA (MI)  
Tel. 039/651.705 - 650.397  
Fax 039/654.018  
www.conflow.it

# COMPONENTS LIST and MATERIALS

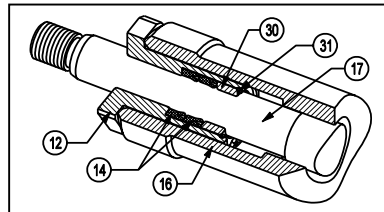


## COMPONENTS LIST

1. Upper diaphragm casing
2. Airvent screw
3. Hexagonal locknut
4. Washer
5. Diaphragm casing bolts
6. Diaphragm casing locknuts
7. Diaphragm
8. Diaphragm plate
9. Lower diaphragm casing
10. Lower spring plate
11. Grub screw
12. Airtight guide
13. O-Rings (DN25-DN50)
14. Airtight
15. Spring
16. Yoke
17. Stem
18. Upper spring plate
19. Ball bearing (DN40-100)
20. Spring adjusting plate
21. Body locknuts
22. Stud-bolts
23. Guide bushing
24. Body gasket
25. Plug locknut
26. Entering catch
27. Plug
28. Body
29. Seat
30. Washer (DN15-20)
31. Seeger (DN15-20)
32. Lower flange
33. Lower flange nuts

## MATERIALS

1. G25 cast iron
2. 4.8 DIN 933 galvanized steel
3. AISI 304 st. steel
4. DIN 125 galvanized steel
5. 8.8 DIN 933 galvanized steel
6. ISO 4033 galvanized steel
7. RubbertexT60-80  
NBR T100-150
8. G25 cast iron
9. G25 cast iron
10. UNI 7013-72 bronze
11. 14.9 DIN 914 steel
12. OT58 brass
13. NBR
14. NBR DIN 3760
15. C85 8 steel (DN15-50)  
52SiCrNi5 (DN65-100)
16. C40 nickel plated steel
17. AISI 304 st. steel
18. UNI 7013-72 bronze
19. Ref. 51112 steel (DN40-50)  
Ref. 51118 steel (DN65-100)
20. UNI 7013-72 bronze
21. ISO 4033 galvanized steel
22. Galvanized steel
23. OT58 brass
24. Centellen WS 3820  
PTFE on request
25. AISI 303 st. steel
26. AISI 303 st. steel
27. AISI 304 st. steel
28. G25 cast iron or  
GSC-25 (1.0619) carbon steel
29. AISI 304 st. steel
30. OT58 brass
31. Seeger (DN15-20)
32. C40
33. ISO 4033 galvanized steel



**STEM PACKING  
DN 15 - 20**

## SPARE PARTS KIT

### Diaphragm ( part. 7 )

T.60 cod. T.60.103  
T.80 cod. T.80.103  
T.100 cod. T.100.103  
T.150 cod. T.150.103

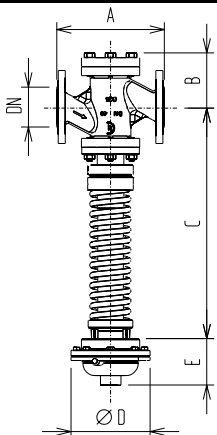
### Gaskets kit [ parts. 12 - 14 ( n°2 ) - 24 - 30 - 31 ]

DN 15 cod. GASKETSRP1315  
DN 20 cod. GASKETSRP1320

### Gaskets kit [ parts. 13 ( n° 2 ) - 14 - 24 ]

DN 25-32 cod. GASKETSRP132532  
DN 40-50 cod. GASKETSRP134050  
DN 65-80 cod. GASKETSRP136580  
DN 100 cod. GASKETSRP13100  
(DN65-80 and DN100 rif.14 e rif.24 only)

## DIMENSIONS (mm) and WEIGHT (Kg)



### Body Group

DN	Ø	A	B	C	WEIGHT Kg
15	1/2"	190	67	340	5,5
20	3/4"	194	67	333	6,5
25	1"	197	90	424	10,5
32	1.1/4"	212	92	427	11,5
40	1.1/2"	235	108	476	17,5
50	2"	267	108	482	20,0
65	2.1/2"	292	148	535	37,0
80	3"	317	148	568	44,0
100	4"	368	176	578	53,5

### Actuator

ACTUATOR	Ø D	E	WEIGHT Kg
T60	149	94	3,5
T80	162	94	5,0
T100	188	96	6,5
T150	226	93	10,0

For valve sizing, see leaflet n° 100/VP.

Specifications given are only indicative and not binding for the manufacturer who reserve the right to carry-out any modification deemed necessary without prior notice